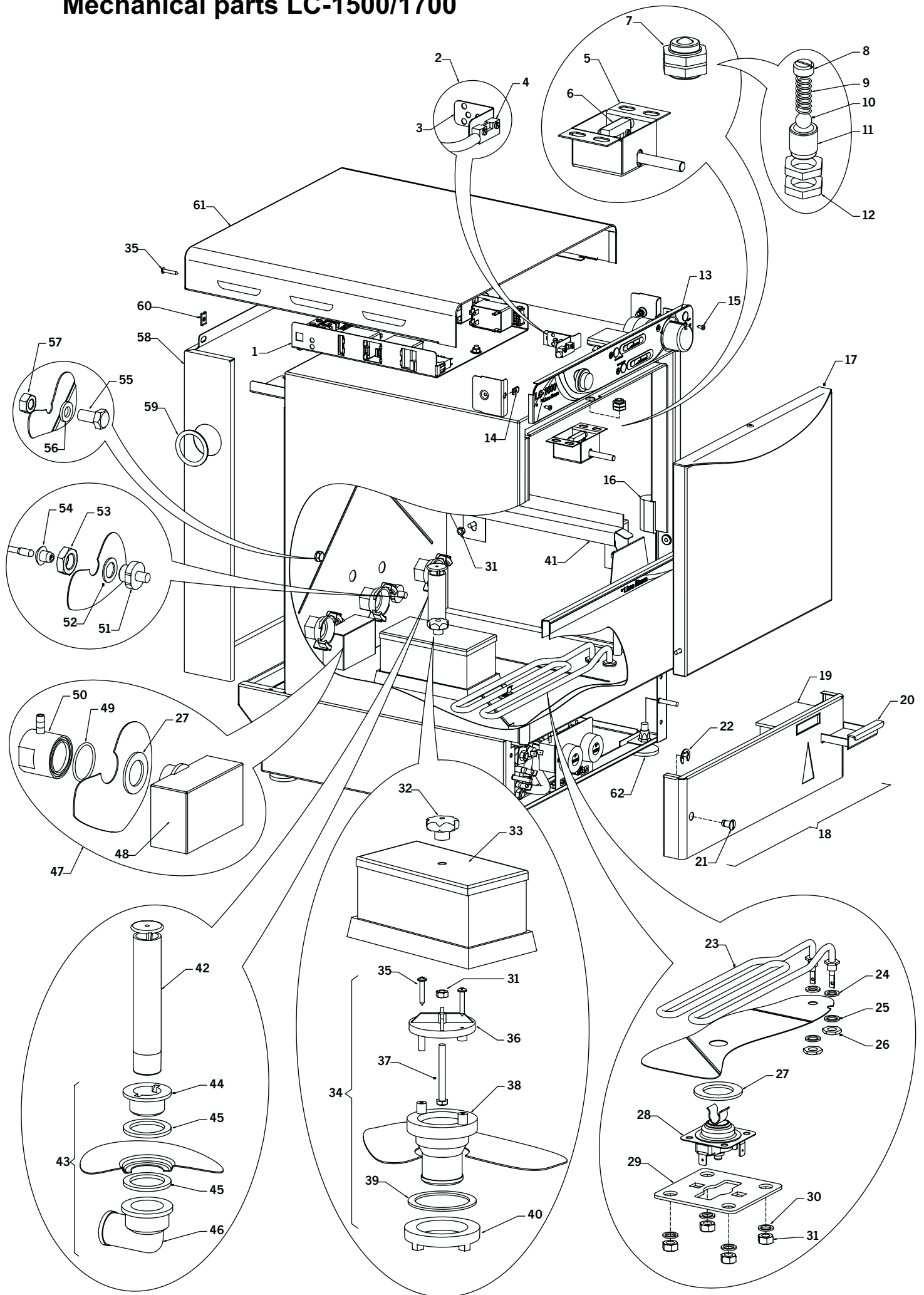


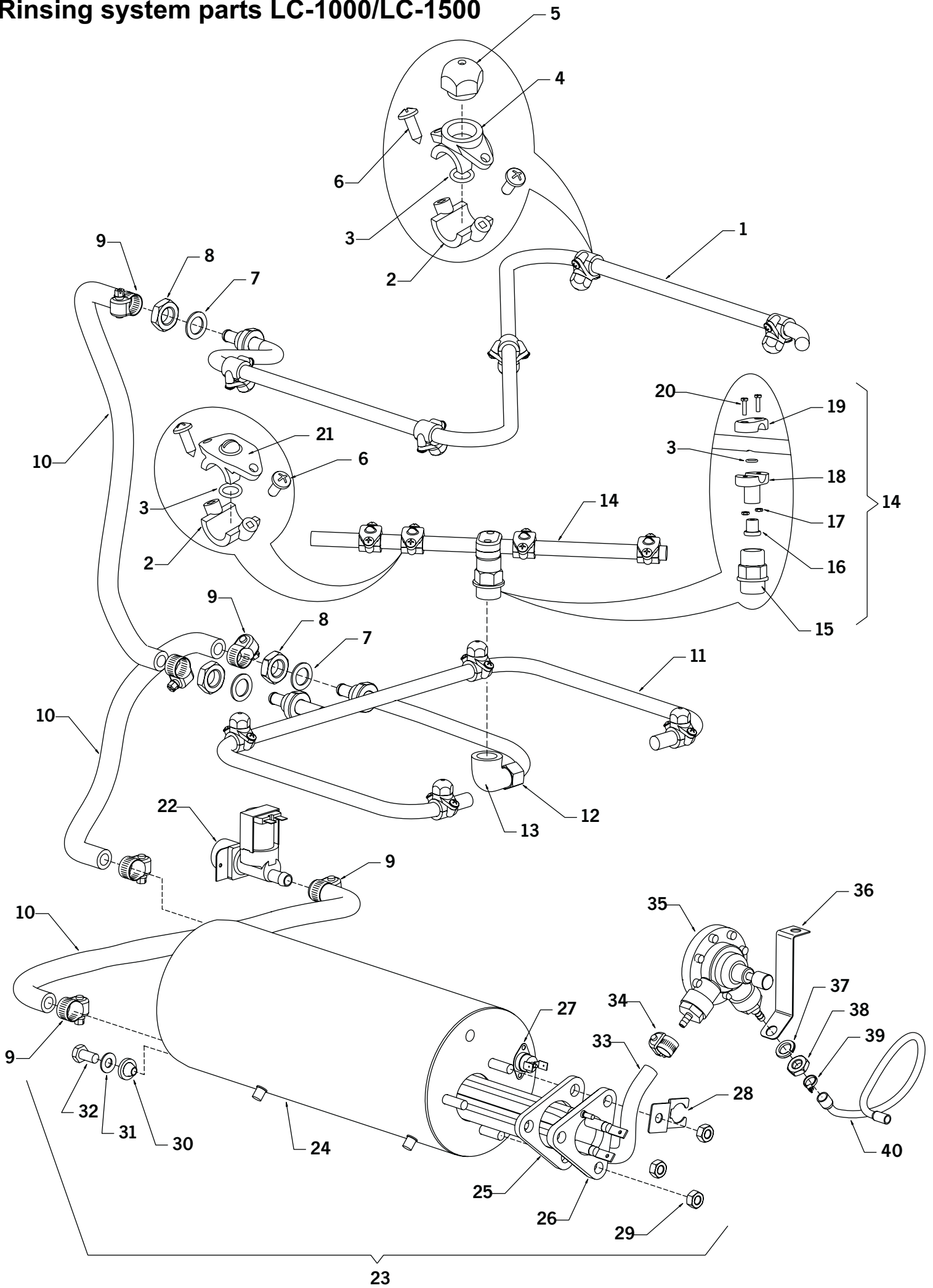
Mechanical parts LC-1500/1700



Mechanical parts LC-1500/1700

NUMBER	CODE	DENOMINATION
1	A320048	ELECTRIC PANEL ASSEMBLY LC-1500/1700
2	A460002	MAGNETIC SWITCH WITH SUPPORT
3	A4600022F4	MAGNETIC SWITCH SUPPORT
4	A030250	MAGNETIC SWITCH
5	A450002	MAGNETIC PUSH ASSEMBLY
6	A030252	MAGNET (ALL MODELS)
7	A290001	DOOR CATCHL ASSEMBLY
8	A050080I	STAINLESS STEEL INNER NUT DOOR CATCH
9	A060067	BALL CATCH SPRING
10	A050116	DOOR CATCH STEEL BALL
11	A050270	STAINLESS STEEL CATCH BODY
12	A050081I	STAINLESS STEEL OUTER NUT DOOR CATCH
13	A320020/1	CONTROL PANEL ASSEMBLY LC-1500 WITH TEMPERATURE INDICATORS
13	A320015/1	CONTROL PANEL ASSEMBLY LC-1700 WITH TEMPERATURE INDICATORS
14	A060040	U LOCK NUT TR-522 1C
15	A060125	STAINLESS STEEL SCREW DIN7981 6*9*5
16	A040241	DOOR STOP SCREW PLASTIC COVER
17	A300020	FRONT DOOR LC-1500
17	A300015	FRONT DOOR LC-1700
18	A310020	COMPLETE BASE DOOR LC-1500/1700
19	A700113	RINSING AID LIQUID TANK
20	A040219	RINSING AID LIQUID TANK GUIDE
21	A050090	LOWER FIXING NUT M6
22	A060153	STAINLESS STEEL SAFETY WASHER Ø 8 MM. DIN 6799
23	A030018PLF	2000 W HEATING ELEMENT
24	A030402	TANK FLAT HEATING ELEMENT GASKET
25	A030401	TANK FLAT HEATING ELEMENT WASHER
26	A030403	TANK FLAT HEATING ELEMENT NUT
27	A040043	PRESSURE SWITCH HOOD RUBBER GASKET
28	A030067/3	TANK 2000W SAFETY THERMOSTAT
29	A000421F1	TANK SAFETY THERMOSTAT FASTENING
30	A709100	CONDENSER FAN SUPPORT CLAMPING WASHER
31	A060024	MAGNETIC CASE FASTENING WASHER M6
32	A040300	FILTER CLAMP KNOB
33	A430010	SMALL FILTER RUBBER GASKET LC-1000/1500/1700
34	A390002	SMALL FILTER SUPPORT ASSEMBLY
35	A060124	STAINLESS STEEL SCREW DIN7981 4*2*25
36	A040290	FILTER SUPPORT PART (LC-1500/1700)
37	A060116	STAINLESS STEEL SCREW C/EX. M6*55
38	A040120	LOWER FILTER CONNECTOR PART
39	A040046	FILTER CONNECTOR RUBBER GASKET
40	A040140	PLASTIC FILTER CONNECTOR NUT
41	A000354F4	BASKET GUIDE LC-1500
41	A001354F4	BASKET WELDED GUIDES ASSEMBLY (LC-1700/LC-2000)
42	A040211	130 MM DRAIN PLUG
43	A700007	DRAIN CONNECTOR ASSEMBLY (NEW)
44	A040124	DRAIN CONNECTOR
45	A040044	DRAIN CONNECTOR FLAT GASKET
46	A040170	MODERN PLASTIC DRAIN ELBOW
47	A700102	PRESSURE SWITCH AIR BELL ASSEMBLY
48	A040308	PRESSURE SWITCH HOOD BODY
49	A040024	PRESSURESTAT HOOD O-RING 33*29*2
50	A040304	PRESSURE SWITCH HOOD HEAD
51	A050034	STAINLESS STEEL PROBE CAP
52	A040013	FLAT CLAMPING 23,5*15*1,5
53	A060027E	STAINLESS STEEL GRIP NUT DIN 936 M16
54	A040319	THERMOMETER PROBE RUBBER FIXING
55	A060104	STAINLESS STEEL SCREW M8*10 C/E
56	A040037	FLAT RUBBER GASKET 15*8*2
57	A060022	STAINLESS STEEL BOILER HEATING ELEMENT FIXING NUT M8
58	A700266	REAR COVER LC-1500
58	A700315	REAR COVER LC-1700
59	A040320	PROTECTION FEED-THROUGH
60	A060041	U LOCK NUT TR-536 B
61	A700206	TOP COVER LC-1500
61	A700215	TOP COVER LC-1700
62	A060112	ZINZING SCREW M10*40 (ADJUSTABLE FEET)

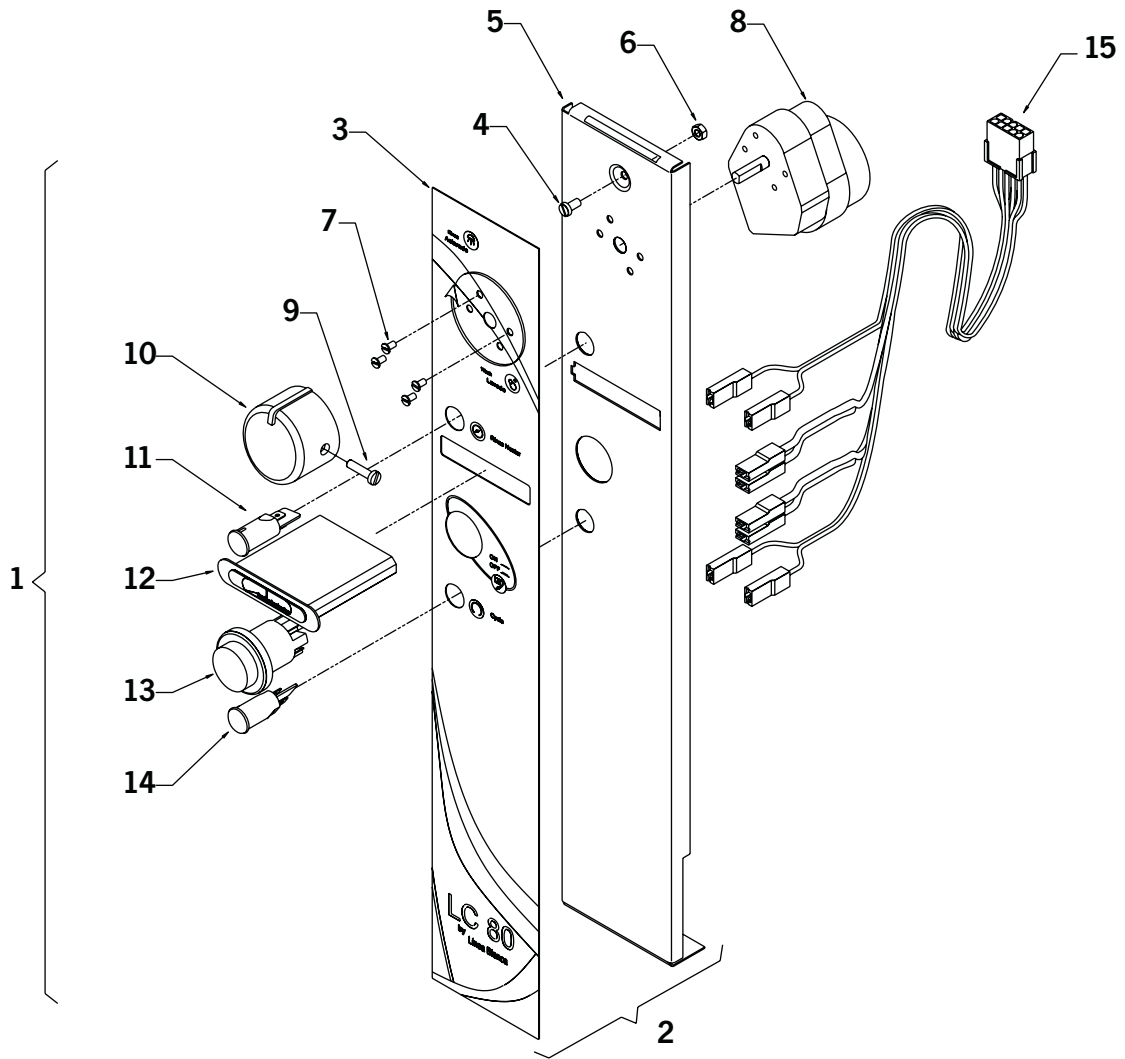
Rinsing system parts LC-1000/LC-1500



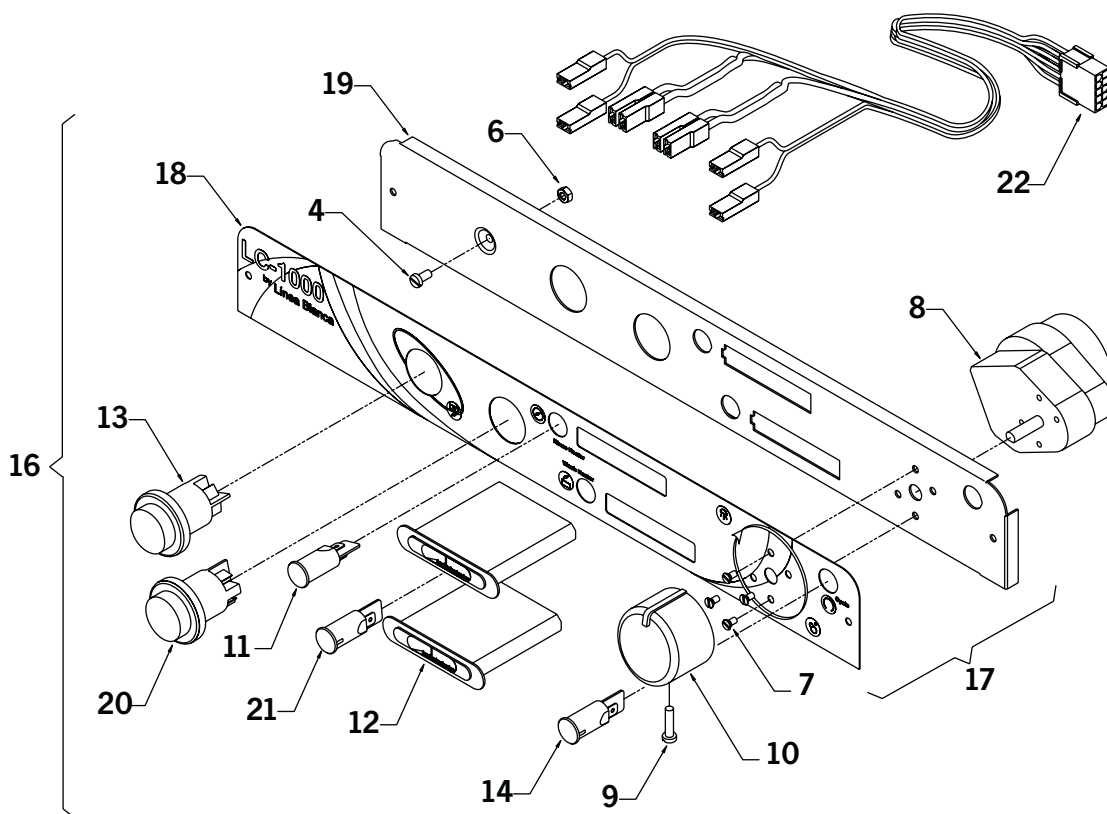
Rinsing system parts LC-1000/LC-1500

NUMBER	CODE	DENOMINATION
1	A220023I	STAINLESS STEEL UPPER RINSE SHAFT ASSEMBLY LC-1000
1	A220020I	UPPER RINSE SHAFT ASSEMBLY STAINLESS STEEL LC-1500
2	A040075	RINSE INJECTOR SUPPORT
3	A040029	O-RING 6,07*1,78
4	A040076	FIXED RINSE INJECTOR SUPPORT
5	A040080	RINSE INJECTOR
6	A060123	DISPENSER STAINLESS STEEL SCREW C/EX. M6*55
7	A040040	RINSE CONNECTOR FLAT GAKET
8	A060027E	STAINLESS STEEL GRIP NUT DIN 936 M16
9	A060171	HYDRAULIC TUBE CLAMP
10	A040101	HYDRAULIC CIRCUIT HOSE
11	A210023I	STAINLESS STEEL LOWER RINSE SHAFT ASSEMBLY LC-1000
11	A210020I	LOWER RINSE SHAFT ASSEMBLY STAINLESS STEEL LC-1500
12	A050082I	FIXING NUT LOWER RINSING SHAFT
13	A040073	ELBOW WITH PLASTIC THREAD 1/2 GAS
14	A230023I	STAINLESS STEEL ROTATING SHAFT ASSEMBLY LC-1000
14	A230020I	ROTATING SHAFT ASSEMBLY SATINLESS STEEL LC-1500
15	A040225	ROTATING SHAFT SUPPORT
16	A050102	ROTATING SHAFT FIXING SCREW
17	A060019	MAGNETIC SWITCH FASTENING WASHER DIN 934 A-2 M3
18	A040078	ROTATORY SHAFT LOWER FLY WHEEL
19	A040077	ROTATORY SHAFT UPPER FLY WHEEL
20	A060117	STAINLESS STEEL SCREW DIN.84 A2 M3*12
21	A040074	ROTATORY RINSE INJECTOR
22	A020030	1-WAY SOLENOID VALVE
23	A250002/1	BOILER (HEATING ELEMENT INCLUDED) LC-1000/1500/1700
24	A250001/1	BOILER (HEATING ELEMENT NOT INCLUDED) LC-1000/1500/1700
25	A040047	RESISTOR TRIANGULAR GASKET
26	A030019	2700 W BOILER HEATING ELEMENT
27	A030067/1	BOILER SAFETY THERMOSTAT T40-95°C
28	A000412F2	BOILER SAFETY THERMOSTAT FASTENING
29	A060022	STAINLESS STEEL BOILER HEATING ELEMENT FIXING NUT M8
30	A040049	BOILER DRAIN TAPERED GASKET
31	A709098	BOILER PLUG STAINLESS WASHER
32	A060105	BOILER PLUG STAINLESS SCREW M8*16 C/E
33	A040100	13 X 5 RUBBER TUBE
34	A060170	8/16 CLAMP
35	A200001/2	RINSE AID LIQUID DOSER FILTER ASSEMBLY
36	A004241F2	AUTOMATIC DOSER FASTENING (ONLY FOR LC-1000)
37	A060155	GALVANISED GROWER WASHER M10
38	A060023E	STAINLESS STEEL GRIP NUT DIN 936 M10
39	A070303	NYLON Q-TIES REF.: 2221
40	A040105	PLASTIC TUBE

Control Panel LC-80/LC-140



Control Panel LC-1000/LC-1500/LC-1700/LC-2000 LC-2300/LC-2300TR/LC-2600/LC-2800

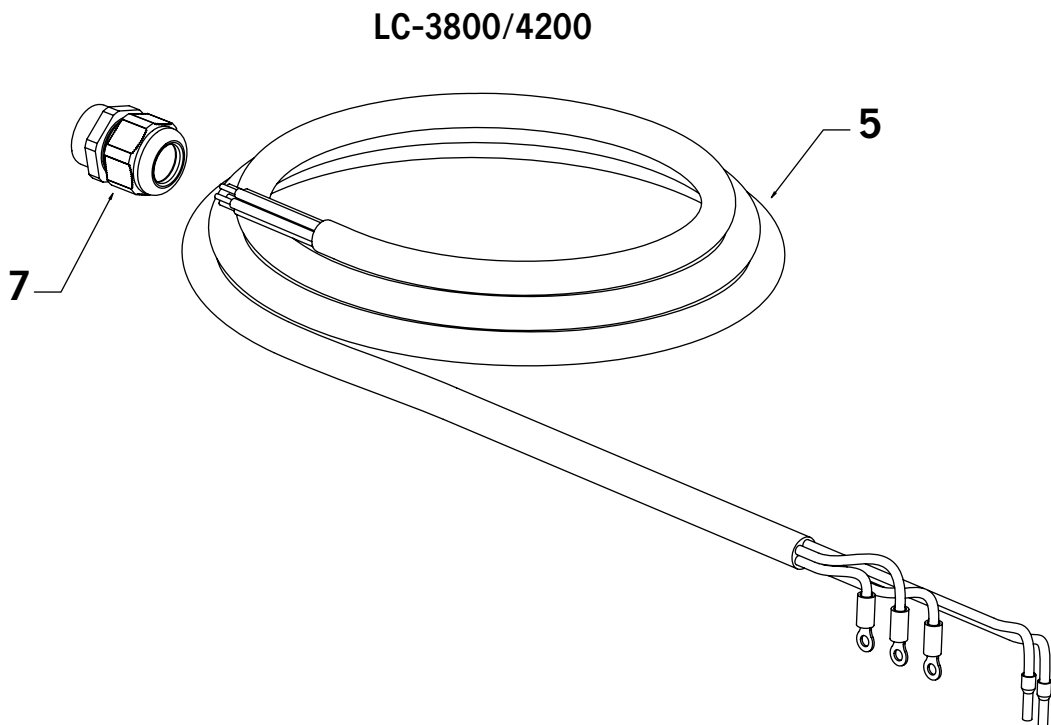
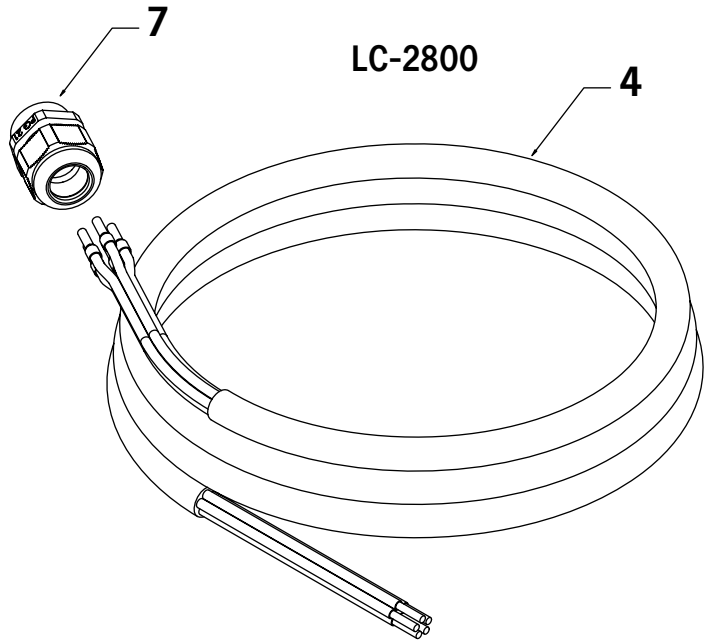
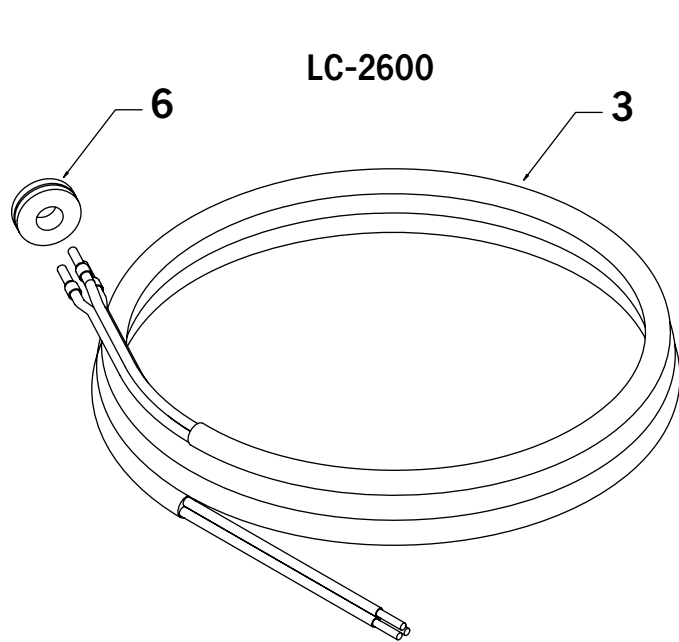
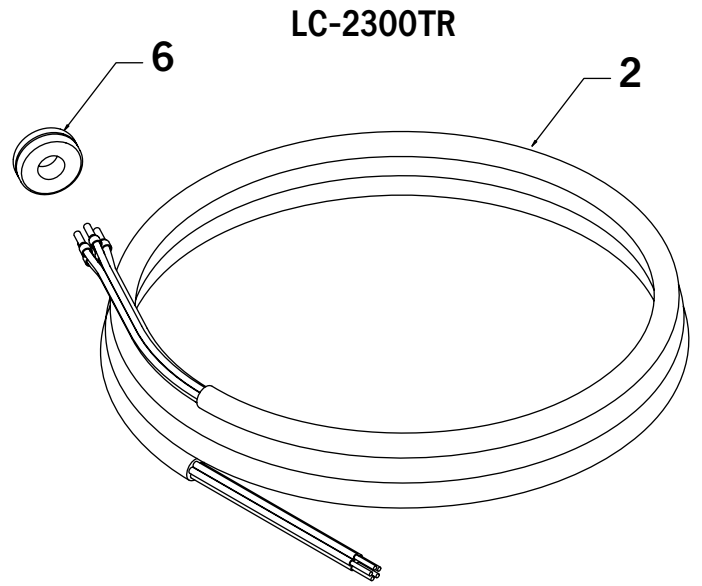
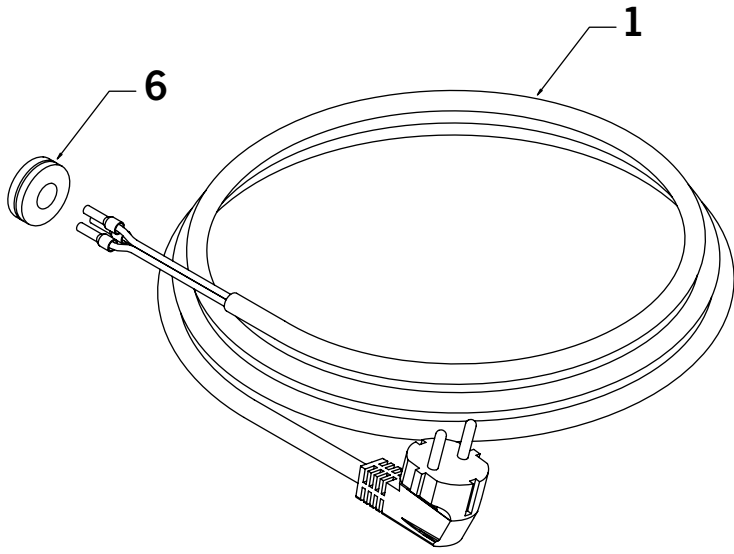


Control Panel LC-80 to LC-2800

NUMBER	CODE	DENOMINATION
1	A320019/1	CONTROL PANEL ASSEMBLY LC-80 WITH TEMPERATURE INDICATOR
1	A320014/1	CONTROL PANEL ASSEMBLY LC-140 WITH TEMPERATURE INDICATOR
2	A700020/1	CONTROL PANEL (FOR TEMPERATURE INDICATOR) ASSEMBLY LC-80 (WITHOUT COMPONENTS)
2	A700026/1	CONTROL PANEL (FOR TEMPERATURE INDICATOR) ASSEMBLY LC-140 (WITHOUT COMPONENTS)
3	A070709T	THERMOMETER CONTROL PANEL STICKER LC-80
3	A070701T	THERMOMETER CONTROL PANEL STICKER LC-140
4	A060079	RELAY SETSCREW M4 *8/10
5	A3200192F3/1	FOLDED PANEL LC-80 FOR TEMPERATURE INDICATORS WITHOUT COMPONENTS
5	A3200142F3/1	FOLDED PANEL LC-140 WITH TEMPERATURE INDICATOR
6	A060001	NUT GALVANIZED M4
7	A060100	PROGRAMMER SETSCREW M3*6 D963
8	A030060	PROGRAMMER
9	A060114	STAINLESS STEEL SCREW DIN 84 M4*16
10	A080073	TIMER ROTATION BUTTON
11	A030097	RED PILOT LIGHT D222 220VFAST.6,3 LED
12	A030087	RECTANGULAR LIQUID EXPANSION THERMOMETER
13	A030049C	GREEN ROUND SWITCH WITH PROTECTOR
14	A030098	AMBER PILOT LIGHT D222 220VFAST.6,3 LED
15	A370050	CONTROL PANEL CABLE BUNDLE LC-80/140
16	A320024/1	CONTROL PANEL ASSEMBLY LC-1000 WITH TEMPERATURE INDICATORS
16	A320020/1	CONTROL PANEL ASSEMBLY LC-1500 WITH TEMPERATURE INDICATORS
16	A320015/1	CONTROL PANEL ASSEMBLY LC-1700 WITH TEMPERATURE INDICATORS
16	A320021/1	CONTROL PANEL ASSEMBLY LC-2000 WITH TEMPERATURE INDICATORS
16	A320017/1	CONTROL PANEL ASSEMBLY LC-2300 WITH TEMPERATURE INDICATORS
16	A320016/1	CONTROL PANEL ASSEMBLY LC-2300TR WITH TEMPERATURE INDICATORS
16	A320022/1	CONTROL PANEL ASSEMBLY LC-2600 WITH TEMPERATURE INDICATORS
16	A320023/1	CONTROL PANEL ASSEMBLY LC-2800 WITH TEMPERATURE INDICATORS
17	A700015/1	CONTROL PANEL (FOR TEMPERATURE INDICATOR) ASSEMBLY LC-1000 (WITHOUT COMPONENTS)
17	A700016/1	CONTROL PANEL (FOR TEMPERATURE INDICATOR) ASSEMBLY LC-1500 (WITHOUT COMPONENTS)
17	A700022/1	CONTROL PANEL (FOR TEMPERATURE INDICATOR) ASSEMBLY LC-1700 (WITHOUT COMPONENTS)
17	A700017/1	CONTROL PANEL (FOR TEMPERATURE INDICATOR) ASSEMBLY LC-2000 (WITHOUT COMPONENTS)
17	A700021/1	CONTROL PANEL (FOR TEMPERATURE INDICATOR) ASSEMBLY LC-2300 (WITHOUT COMPONENTS)
17	A700023/1	CONTROL PANEL (FOR TEMPERATURE INDICATOR) ASSEMBLY LC-2300TR (WITHOUT COMPONENTS)
17	A700018/1	CONTROL PANEL (FOR TEMPERATURE INDICATOR) ASSEMBLY LC-2600 (WITHOUT COMPONENTS)
17	A700019/1	CONTROL PANEL (FOR TEMPERATURE INDICATOR) ASSEMBLY LC-2800 (WITHOUT COMPONENTS)
18	A070710T	THERMOMETER CONTROL PANEL STICKER LC-1000
18	A070707T	THERMOMETER CONTROL PANEL STICKER LC-1500
18	A070708T	THERMOMETER CONTROL PANEL STICKER LC-1700
18	A070702T	THERMOMETER CONTROL PANEL STICKER LC-2000
18	A070703T	THERMOMETER CONTROL PANEL STICKER LC-2300
18	A070704T	THERMOMETER CONTROL PANEL STICKER LC-2300TR
18	A070705T	THERMOMETER CONTROL PANEL STICKER LC-2600
18	A070706T	THERMOMETER CONTROL PANEL STICKER LC-2800
19	A3200242F3/1	FOLDED PANEL LC-1000 FOR TEMPERATURE INDICATORS WITHOUT COMPONENTS
19	A3200202F3/1	FOLDED PANEL LC-1500/1700 FOR TEMPERATURE INDICATORS WITHOUT COMPONENTS
19	A3200172F3/1	FOLDED PANEL LC-2000/2300/2300TR FOR TEMPERATURE INDICATORS WITHOUT COMPONENTS
19	A3200222F3/1	FOLDED PANEL LC-2600/2800 FOR TEMPERATURE INDICATORS WITHOUT COMPONENTS
20	A0300492C	AMBER ROUND SWITCH WITH PROTECTOR
21	A030099	GREEN PILOT LIGHT D222 220VFAST.6,3 LED
22	A370051	CONTROL PANEL CABLE BUNDLE (FROM LC-1000 TO LC-2800)

Electrical Hose

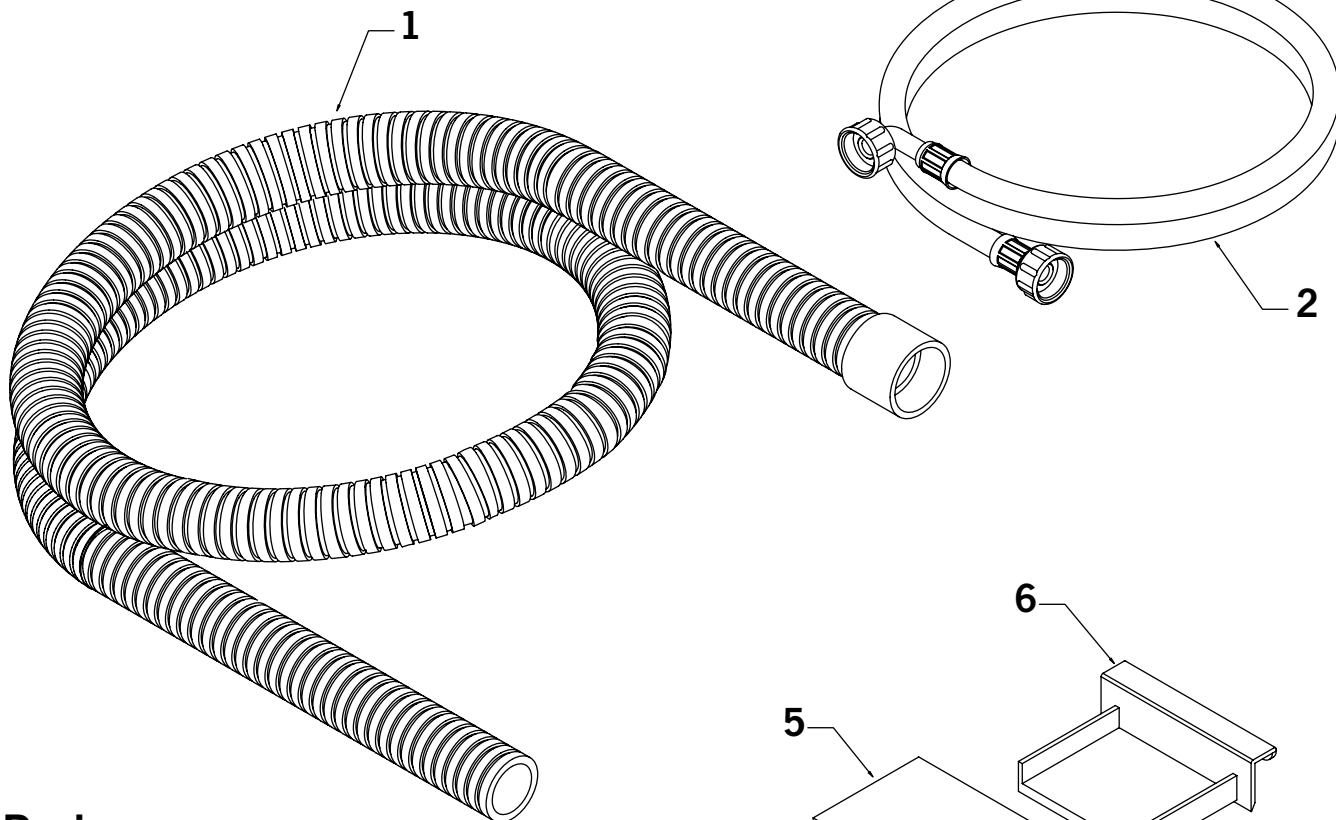
LC-80/140/1000/1500/1700/2000/2300



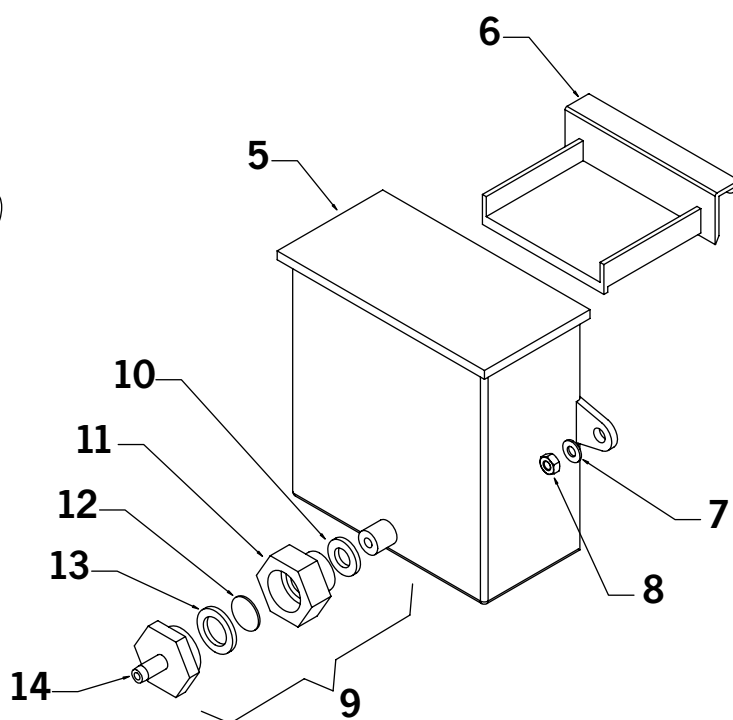
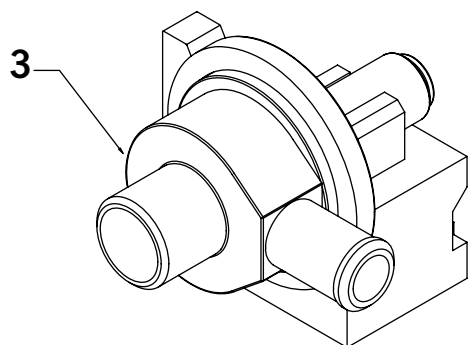
Electrical Hose

NUMBER	CODE	DENOMINATION
1	A030083	ELECTRICAL HOSE WITH PLUG
2	A360017	ELECTRIC CONNECTION CABLE LC-2300TR
3	A360051	ELECTRIC CONNECTION CABLE LC-2600
4	A360022	ELECTRIC CONNECTION CABLE LC-2800
5	A360007	ELECTRIC CONNECTION CABLE LC-3800/4200
6	A040301	WIRE CARRIER (LC-80/140/1000/1500/1700/2000/2300/2300TR/2600)
7	A030065	HOSE CLAMP STUFFING BOX (LC-2800/3800/4200)

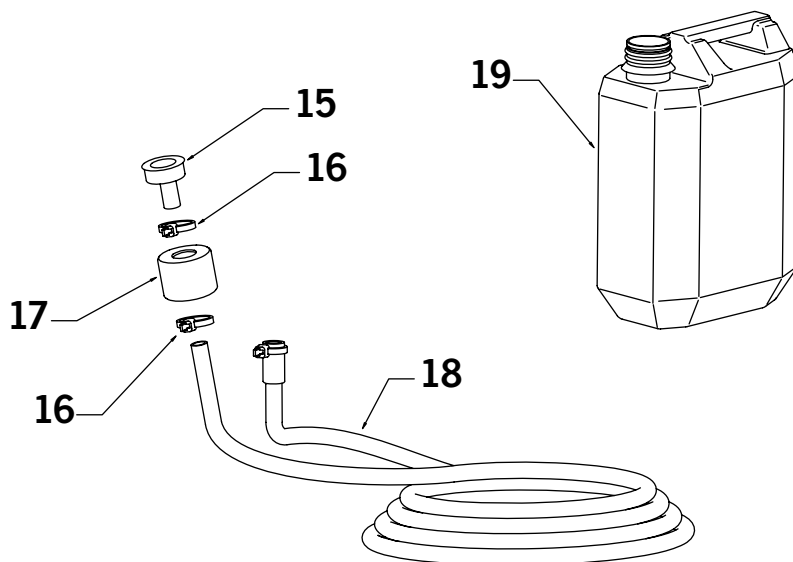
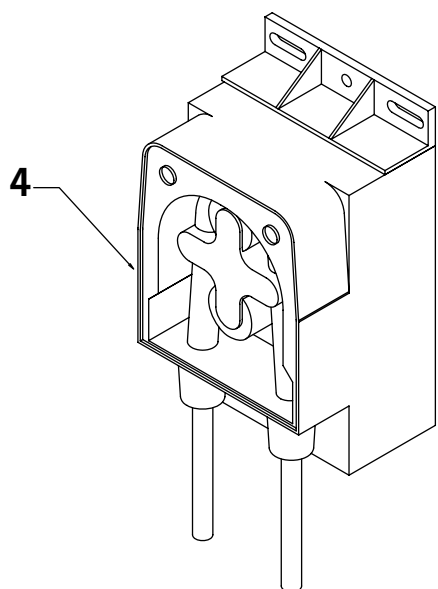
Water connections



Drain pump



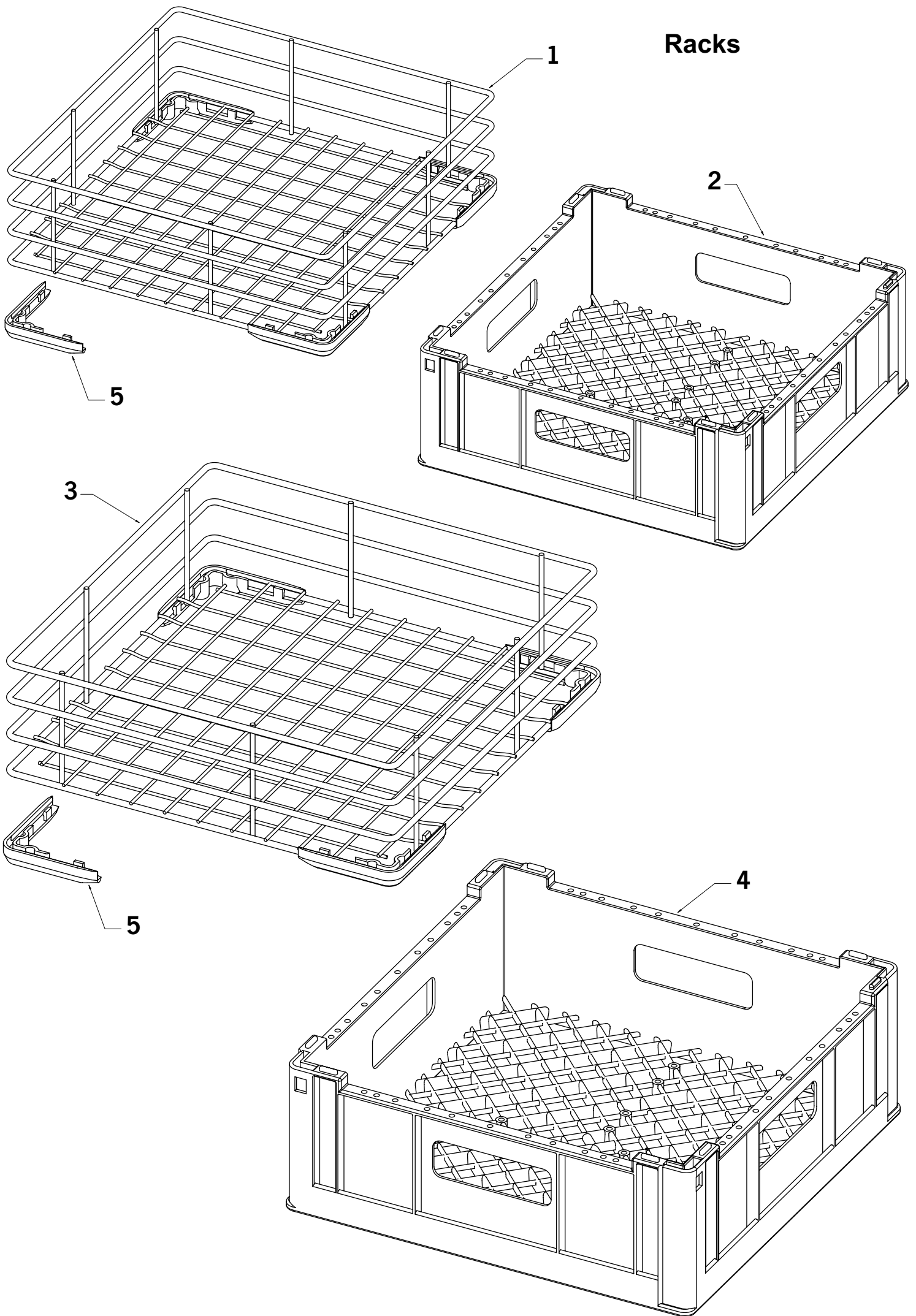
Detergent doser



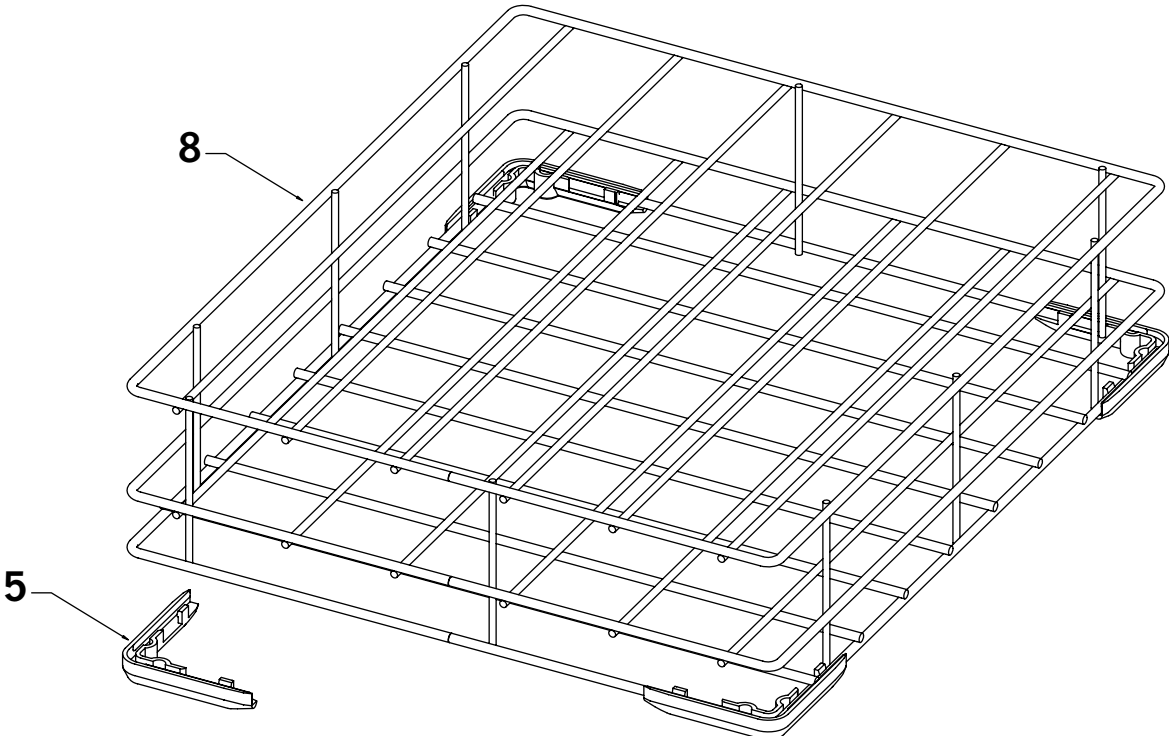
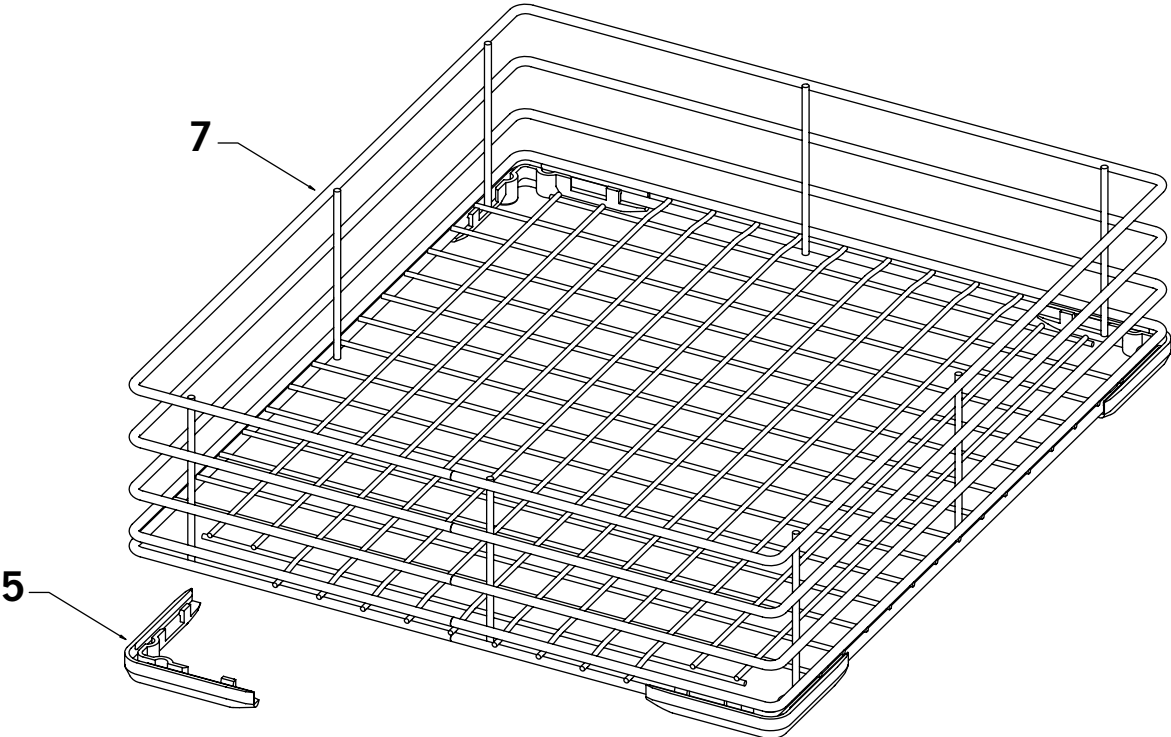
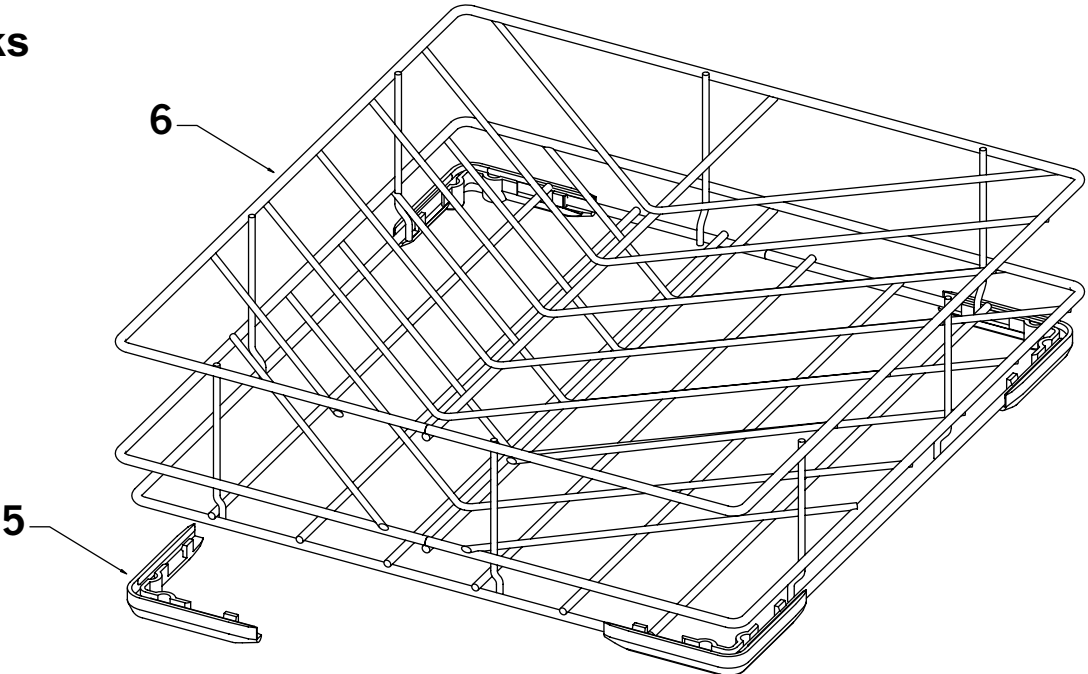
Shared Elements

NUMBER	CODE	DENOMINATION
1	A040282G	DRAINING HOSE 2 MTS. (LC-3800/4200)
1	A040280	DRAIN HOSE 1,5 M LC-80/140/1000/1500/1700/2000/2300/2300TR/2600/2800)
2	A040283	WATER INTAKE HOSE (LC-3800/4200)
2	A040281	1,5 M WATER INTAKE HOSE (LC-80/140/1000/1500/1700/2000/2300/2300TR/2600/2800)
3	A020015	DRAIN PUMP
4	A040067	AUTOMATIC DETERGENT DOSER
5	A700113	RINSING AID LIQUID TANK
6	A040219	RINSING AID LIQUID TANK GUIDE
7	A060163	RINSE AID LIQUID TANK ZINCING WASHER 4M
8	A060001	NUT GALVANIZED M4
9	A200002	RINSE AID FILTER ASSEMBLY
10	A040037	FLAT RUBBER GASKET 15*8*2
11	A040126	RINSE AID LIQUID FILTER TANK CONNECTOR
12	A050007	RINSING AID LIQUID STEEL LATICE FILTER
13	A040038	RINSE AID FILTER INTERIOR RUBBER GASKET
14	A040127	RINSING AID LIQUID OUTLET CONNECTOR
15	A040325	RINSING AID LIQUID DOSER PLASTIC FILTER
16	A070303	NYLON Q-TIES REF.: 2221
17	A050190	STAINLESS STEEL DOOR STOP REF.20X15-0,8
18	A040105	PLASTIC TUBE
19	A040224	RINSING AID LIQUID TANK (LC-80/140)

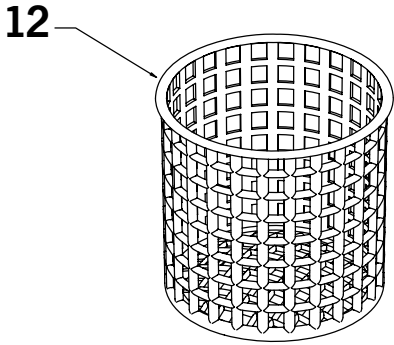
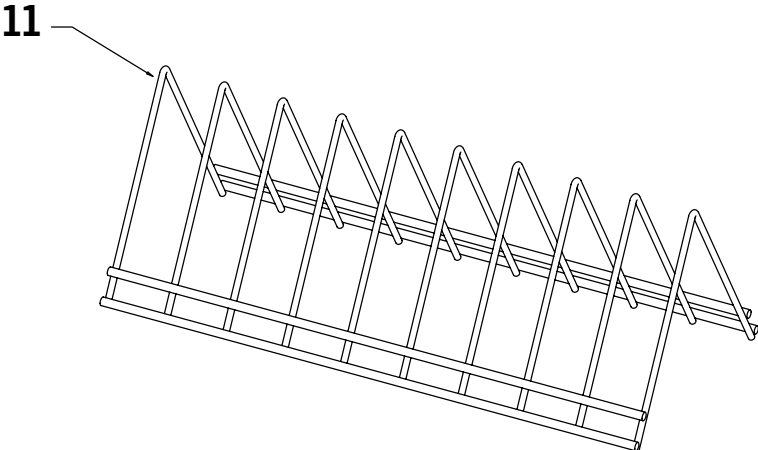
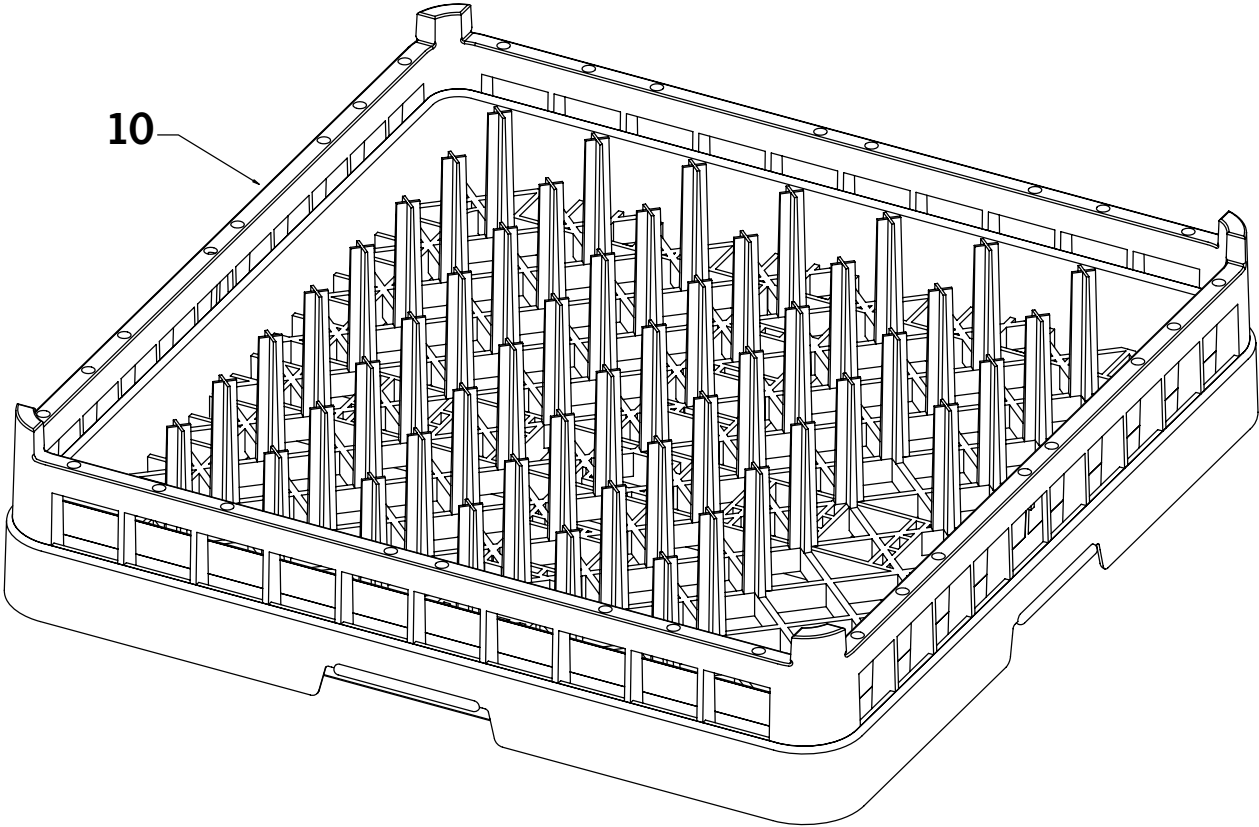
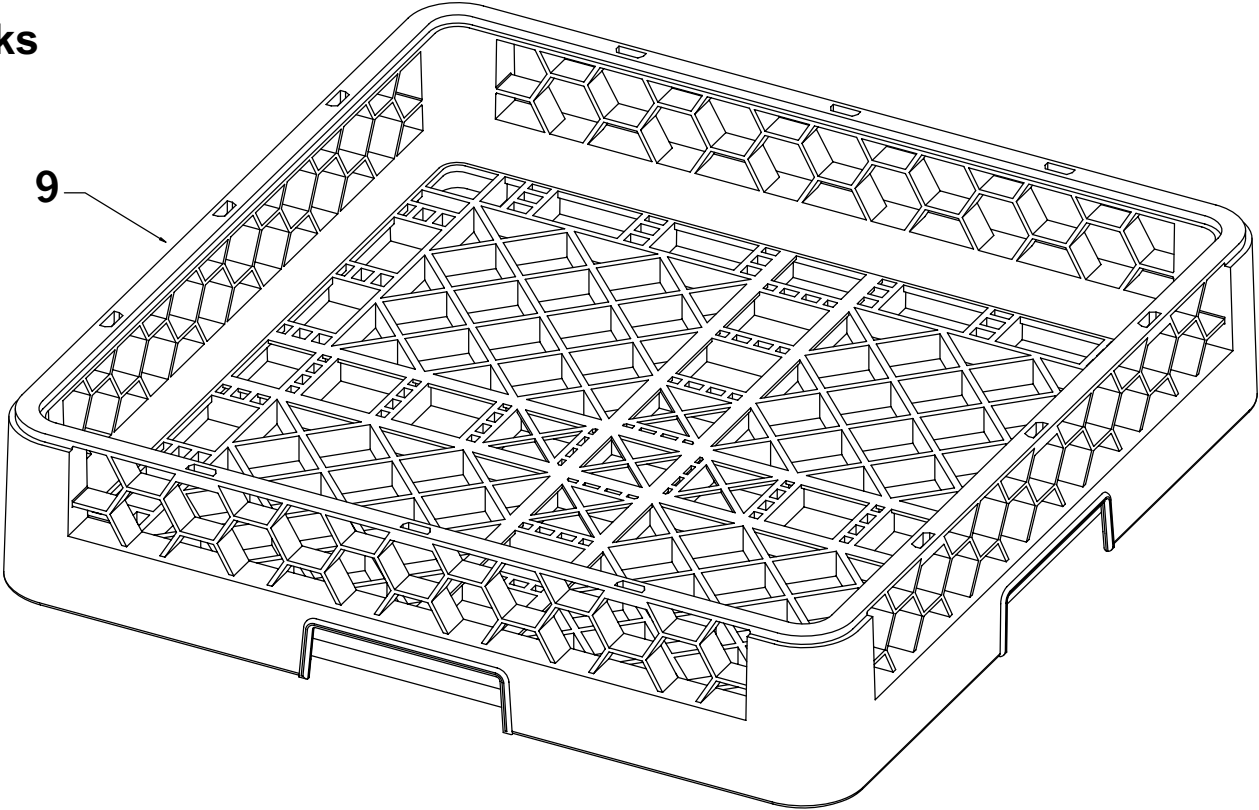
Racks



Racks



Racks



Racks

NUMBER	CODE	DENOMINATION
1	A050350	RACK FOR GLASSES (RODS) (OPTIONAL LC-80/1000)
2	A050350P	RACK FOR GLASSES (PLASTIC) (LC-80/1000)
3	A050306	WIRE RACK FOR GLASSES (400X400) (OPTIONAL LC-140/1500/1700)
4	A050306P	RACK FOR GLASSES (PLASTIC) (LC-140/1500/1700)
5	A040242	PLASTIC CORNERS (LC-80/1000/1500/1700/2000)
6	A050341	WIRE RACK FOR SMALL SIZE COFFEE DISHES (LC-1700 AND OPTIONAL FOR LC-1500)
7	A050307	WIRE RACK FOR GLASSES LC-2000
8	A050320	WIRE RACK FOR DISHES LC-2000
9	A050308	RACK FOR GLASSES (PLASTIC) 500X500 (LC-2300/2300TR/2600/2800/3800/4200)
10	A050321	RACK FOR DISHES (PLASTIC) 500X500MM (LC-2300/2300TR/2600/2800/3800/4200)
11	A050345	SMALL RACK FOR DISHES (LC-80/140/1000/1500/3800/4200)
12	A050346	CUTLERY BASKET (FOR ALL MODELS)